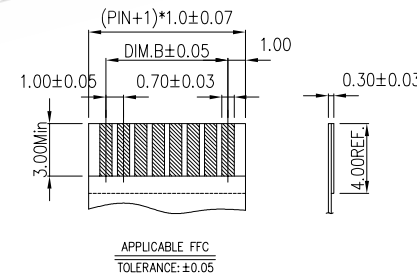
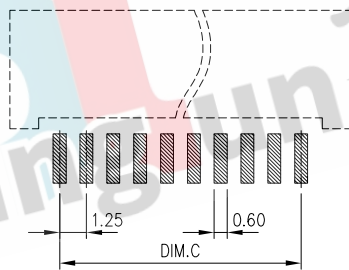
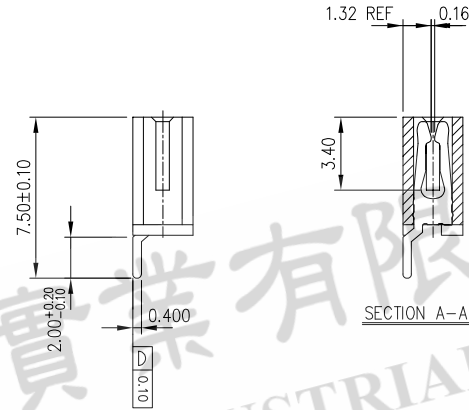
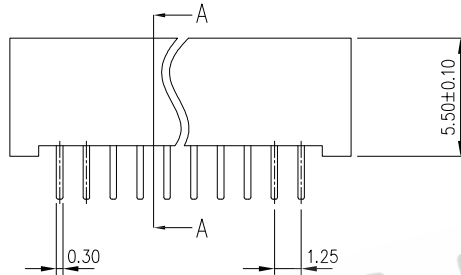


- SPEC :
- 1.Housing:UL 94V-0
 - 2.Contact:Copper Alloy
 - 3.Plating:Tin Plated Over Nickel
 - 4.Current Rating:1 Amp.
 - 5.Dielectric Withstanding Voltage:500V AC/Min
 - 6.Insulation Resistance:500 Ohms/Min
 - 7.Contact Resistance:30 Ohms Max.



●: 表示現有可提供PIN數

PIN	DIM.A	DIM.B	DIM.C
2	5.90	3.80	1.25
3	7.15	5.05	2.50
4	8.40	6.30	3.75
5	9.65	7.55	5.00
6	10.90	8.80	6.25
7	12.15	10.05	7.50
8	13.40	11.30	8.75
9	14.65	12.55	10.00
10	15.90	13.80	11.25
11	17.15	15.05	12.50
12	18.40	16.30	13.75
13	19.65	17.55	15.00
14	20.90	18.80	16.25
15	22.15	20.05	17.50
16	23.40	21.30	18.75
17	24.65	22.55	20.00
18	25.90	23.80	21.25
19	27.15	25.05	22.50
20	28.40	26.30	23.75
21	29.65	27.55	25.00
22	30.90	28.80	26.25
23	32.15	30.05	27.50
24	33.40	31.30	28.75
25	34.65	32.55	30.00
26	35.90	33.80	31.25
27	37.15	35.05	32.50
28	38.40	36.30	33.75
29	39.65	37.55	35.00
30	40.90	38.80	36.25
31	42.15	40.05	37.50
32	43.40	41.30	38.75
33	44.65	42.55	40.00
34	45.90	43.80	41.25
35	47.15	45.05	42.50
36	48.40	46.30	43.75

ORDERING INFORMATION:

FPCG - 12280 IHDE - xx - x - x

PCB LAYOUT

- PLATING: T=TIN G=GOLD FLASH
- PACKING T=TUBE R=REEL
- NO. of contacts
- Series name
- PITCH=1.25mm
- FPC SERIES



鼎掄實業有限公司
DINGLUN INDUSTRIAL CO., LTD.

TITLE
 FPC 1.25PH 2.8H 無蓋斜角貼雙接

DRAWN:	<i>michael lin</i> 2010/10/28	TOLERANCE	SCALE	P/N NO.
CHECKED:	<i>Eddie Liu</i> 2010/10/28	.X±0.30	None	FPCG-12280IHDE-xx-xx
APPROVED:	<i>Eddie Liu</i> 2010/10/28	.XX±0.20	UNIT	DWG. NO.
		.XXX±0.10	mm	
		PROJECTION	REV.	CUSTOMER P/N NO.
		⊕ ⊖	A	

REV.	REASONS	DATE	DRAWN
1			
2			
3			
4			
5			
6			
7			
8			
9			