

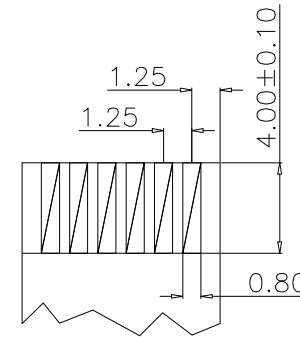
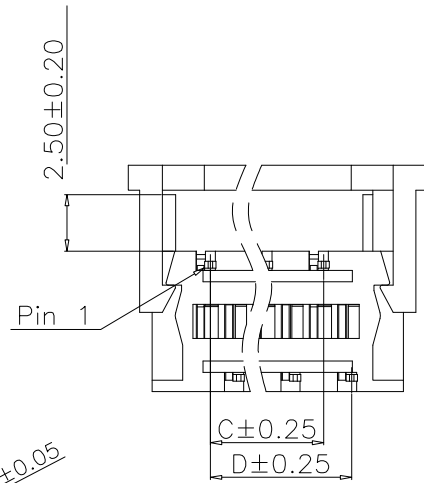
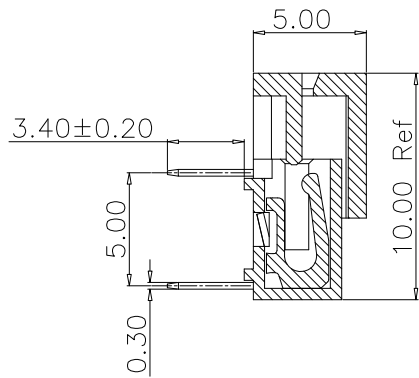
Detail A
Without cover

Material:
Housing: Thermoplastic Polyester Glass Filled UL94V-0.
Contacts: Copper Alloy.
Electrical Characteristics:
Current Rating: 1 AMP.
Dielectric Withstanding Voltage: AC 500V For 1 minute.
Insulator Resistance: 1000MΩ min. at DC 500V.
Contact Resistance: 20mΩ max. at DC 100mA.
Operating Temperature: -55°C~+105°C.
 *RoHS Compliant

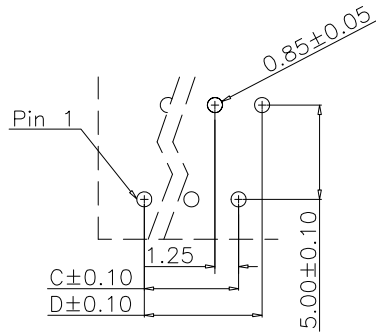
PART NO. LEGEND :

FPCO-12500DWUP-xx-TT

PLATING : T=TIN
 PACKING : T=TUBE
 NO. of contacts



FFC/FPC Dimension
 Thickness 0.3±0.05mm



P.C. Board Layout
 (Top View)

Position	3 Thru 40
Dimension	
A	No. of Positions X 1.25+5.7
B	No. of Positions X 1.25+1.47
C	No. of Positions X 1.25-1.25
D	No. of Positions X 1.25-1.25



鼎掄實業有限公司
DINGLUN INDUSTRIAL CO., LTD.

TITLE
 FPC 1.25PH 5.0H 抽屜彎插上接正腳

DRAWN: **michael lin** 2015/12/28
 CHECKED: **Eddie Liu** 2015/12/28
 APPROVED: **Eddie Liu** 2015/12/28

P/N NO. FPCO-12500DWUP-xx-TT
 DWG. NO.
 CUSTOMER P/N NO.

REV.	REASONS	DATE	DRAWN
△			
△			
△			