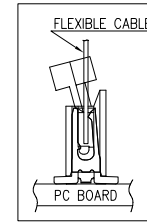
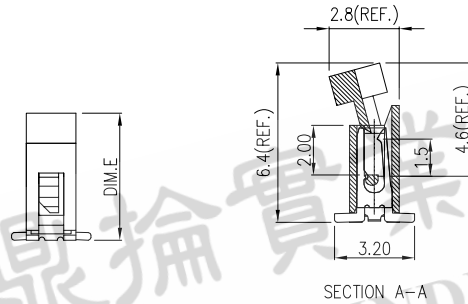
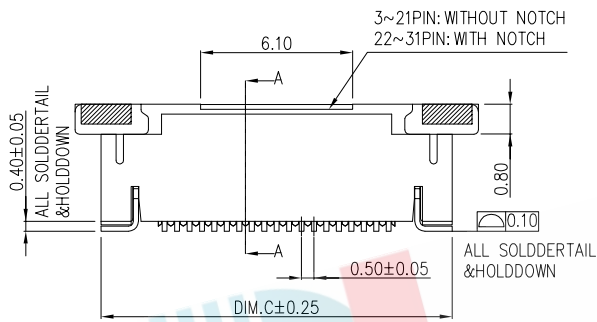


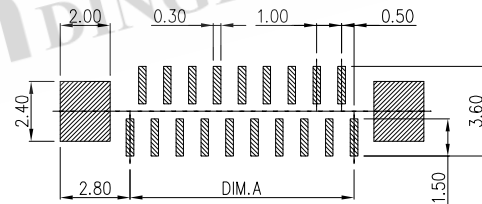
CAP PLACEMENT DIAGRAM



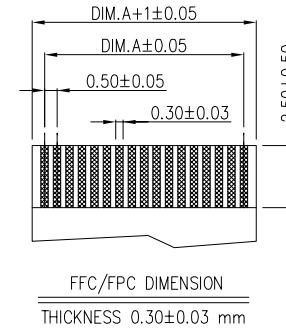
- SPEC :
- Housing: High-Temp Plastic, UL94-V
Color: Natural
 - Locker: High-Temp Plastic, UL94-V
Color: Black
 - Contact: Phosphor Bronze
Initial: 30m Ohms Max.
Voltage Rating: 50V AC, DC
 - Solder Tab: BRASS
 - Temperature Rating: -25°C ~ +85°C
 - Dielectric Withstanding Voltage: 500V AC/Min



SECTION A-A



RECOMMENDED P.C.B LAYOUT
TOLERANCE: ±0.05



FFC/FPC DIMENSION
THICKNESS 0.30±0.03 mm

ORDERING INFORMATION:

FPCS - 05470 DTSP - xx - x - x

- PLATING: T=TIN G=GOLD FLASH
- PACKING T=TUBE R=REEL
- NO. of contacts
- Series name
- PITCH=0.5mm
- FPC SERIES



鼎掄實業有限公司
DINGLUN INDUSTRIAL CO., LTD.

TITLE
FPC 0.5PH 4.7H 抽屜立貼單接正腳位

DRAWN: *michael lin* 2017/10/22
TOLERANCE: .X±0.30
SCALE: None
CHECKED: *Eddie Liu* 2017/10/22
UNIT: .XXX±0.10 mm
APPROVED: *Eddie Liu* 2017/10/23
PROJECTION: REV. A

P/N NO. FPCS-05470DTSP-xx-xx
DWG. NO.
CUSTOMER P/N NO.

REV.	REASONS	DATE	DRAWN
1			
2			
3			
4			
5			
6			
7			

● : 表示現有可提供PIN數

PIN	DIM.A	DIM.B	DIM.C	DIM.D	DIM.E
4	1.50	2.60	6.60	8.70	
5	2.00	3.10	7.10	9.20	
6	2.50	3.60	7.60	9.70	
7	3.00	4.10	8.10	10.20	
8	3.50	4.60	8.60	10.70	
9	4.00	5.10	9.10	11.20	
10	4.50	5.60	9.60	11.70	
11	5.00	6.10	10.10	12.20	
12	5.50	6.60	10.60	12.70	
13	6.00	7.10	11.10	13.20	
14	6.50	7.60	11.60	13.70	
15	7.00	8.10	12.10	14.20	
16	7.50	8.60	12.60	14.70	
17	8.00	9.10	13.10	15.20	4.70
18	8.50	9.60	13.60	15.70	
19	9.00	10.10	14.10	16.20	
20	9.50	10.60	14.60	16.70	
21	10.00	11.10	15.10	17.20	
22	10.50	11.60	15.60	17.70	
23	11.00	12.10	16.10	18.20	
24	11.50	12.60	16.60	18.70	
25	12.00	13.10	17.10	19.20	
26	12.50	13.60	17.60	19.70	
27	13.00	14.10	18.10	20.20	
28	13.50	14.60	18.60	20.70	
29	14.00	15.10	19.10	21.20	
30	14.50	15.60	19.60	21.70	