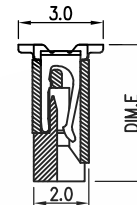
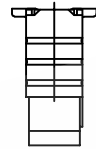
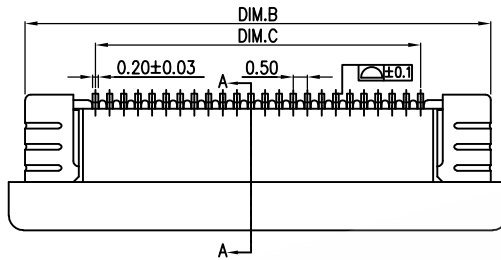
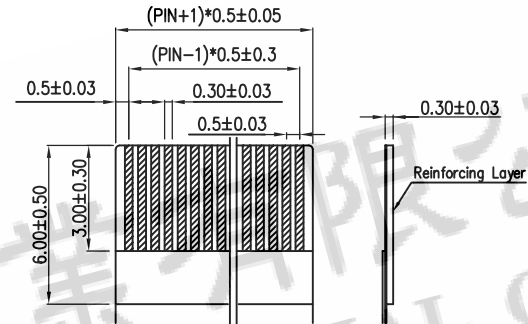


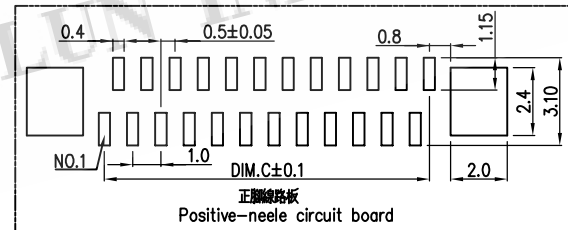
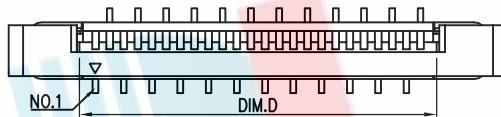
- SPEC :
- Housing: High-Temp Plastic, UL94-V  
Color: Black
  - Locker: High-Temp Plastic, UL94-V  
Color: Black
  - Contact: Phosphor Bronze  
Initial: 30m Ohms Max.  
Voltage Rating: 50V AC, DC
  - Solder Tab: BRASS
  - Temperature Rating: -25°C ~ +85°C
  - Dielectric Withstanding Voltage: 500V AC/Min



SECTION A-A



RECOMMENDED FFC/FPC DIM.



正插線路板  
Positive-needle circuit board

● : 表示現有可提供PIN數

PIN	DIM.A	DIM.B	DIM.C	DIM.D	DIM.E
4	7.60	6.50	1.50	2.60	
5	8.10	7.00	2.00	3.10	
6	8.60	7.50	2.50	3.60	
7	9.10	8.00	3.00	4.10	
8	9.60	8.50	3.50	4.60	
9	10.10	9.00	4.00	5.10	
10	10.60	9.50	4.50	5.60	
11	11.10	10.00	5.00	6.10	
12	11.60	10.50	5.50	6.60	
13	12.10	11.00	6.00	7.10	
14	12.60	11.50	6.50	7.60	
15	13.10	12.00	7.00	8.10	
16	13.60	12.50	7.50	8.60	
17	14.10	13.00	8.00	9.10	
18	14.60	13.50	8.50	9.60	
19	15.10	14.00	9.00	10.10	
20	15.60	14.50	9.50	10.60	
21	16.10	15.00	10.00	11.10	
22	16.60	15.50	10.50	11.60	
23	17.10	16.00	11.00	12.10	
24	17.60	16.50	11.50	12.60	
25	18.10	17.00	12.00	13.10	
26	18.60	17.50	12.50	13.60	
27	19.10	18.00	13.00	14.10	
28	19.60	18.50	13.50	14.60	
29	20.10	19.00	14.00	15.10	
30	20.60	19.50	14.50	15.60	
31	21.10	20.00	15.00	16.10	
32	21.60	20.50	15.50	16.60	
33	22.10	21.00	16.00	17.10	
34	22.60	21.50	16.50	17.60	

ORDERING INFORMATION:

FPCZ - 05440 DTSP - xx - x - x

- PLATING: T=TIN G=GOLD FLASH
- PACKING T=TUBE R=REEL
- NO. of contacts
- Series name
- PITCH=0.5mm
- FPC SERIES



**鼎掄實業有限公司**  
DINGLUN INDUSTRIAL CO., LTD.

TITLE  
FPC 0.5PH 4.4H 抽屜式單接正腳

DRAWN:	michael lin 2017/08/22	TOLERANCE	SCALE	P/N NO. FPCZ-05440DTSP-xx-xx
		.X±0.30	None	
CHECKED:	Eddie Liu 2017/08/22	.XX±0.20	UNIT	DWG. NO.
		.XXX±0.10	mm	
APPROVED:	Eddie Liu 2017/08/23	PROJECTION	REV.	CUSTOMER P/N NO.
		⊕	A	

REV.	REASONS	DATE	DRAWN
1			
2			
3			
4			
5			