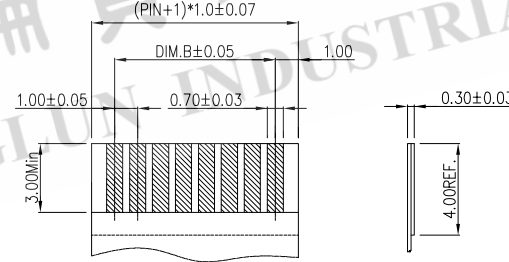
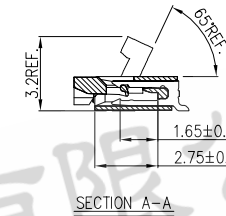
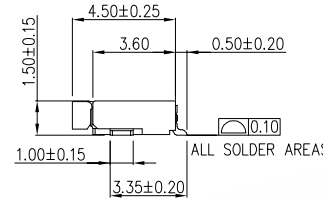
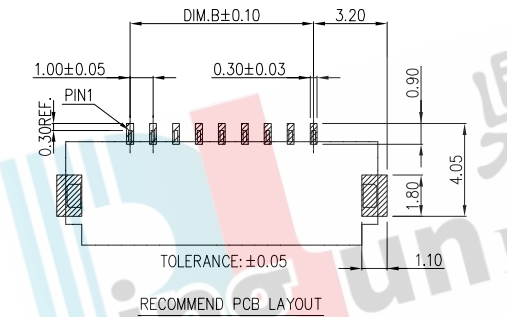


- SPEC :
- 1.Housing:High-Temp Plastic,UL94-V
Color:Black
 - 2.Locker:High-Temp Plastic,UL94-V
Color:Black
 - 3.Contact:Phosphor Bronze
Initial:30m Ohms Max.
Voltage Rating:50V AC,DC
 - 4.Solder Tab:BRASS
 - 5.Temperature Rating:-25°C~+85°C
 - 6.Dielectric Withstanding Voltage:500V AC/Min



APPLICABLE FFC
TOLERANCE: ±0.05

ORDERING INFORMATION:

FPCZ - 10150 PHCE - xx - x - x

- PLATING: T=TIN G=GOLD FLASH
- PACKING T=TUBE R=REEL
- NO. of contacts
- Series name
- PITCH=1.0mm
- FPC SERIES



鼎掄實業有限公司
DINGLUN INDUSTRIAL CO., LTD.

TITLE
FPC 1.0PH 1.5H 掀蓋臥貼前插

DRAWN:	<i>michael lin</i> 2017/07/22	TOLERANCE	SCALE	P/N NO.
CHECKED:	<i>Eddie Liu</i> 2017/07/22	.X±0.30	None	FPCZ-10150PHCE-xx-xx
APPROVED:	<i>Eddie Liu</i> 2017/07/23	.XX±0.20	UNIT	DWG. NO.
		.XXX±0.10	mm	CUSTOMER P/N NO.
		PROJECTION	REV.	
		⊕	A	

●: 表示現有可提供PIN數

PIN	DIM.A	DIM.B	DIM.C
4	8.60	3.00	5.07
5	9.60	4.00	6.07
6	10.60	5.00	7.07
7	11.60	6.00	8.07
8	12.60	7.00	9.07
9	13.60	8.00	10.07
10	14.60	9.00	11.07
11	15.60	10.00	12.07
12	16.60	11.00	13.07
13	17.60	12.00	14.07
14	18.60	13.00	15.07
15	19.60	14.00	16.07
16	20.60	15.00	17.07
17	21.60	16.00	18.07
18	22.60	17.00	19.07
19	23.60	18.00	20.07
20	24.60	19.00	21.07
21	25.60	20.00	22.07
22	26.60	21.00	23.07
23	27.60	22.00	24.07
24	28.60	23.00	25.07
25	29.60	24.00	26.07
26	30.60	25.00	27.07
27	31.60	26.00	28.07
28	32.60	27.00	29.07
29	33.60	28.00	30.07
30	34.60	29.00	31.07
31	35.60	30.00	32.07
32	36.60	31.00	33.07
33	37.60	32.00	34.07

REV.	REASONS	DATE	DRAWN
1			
2			
3			
4			
5			
6			
7			
8			
9			