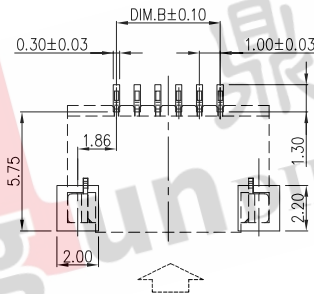
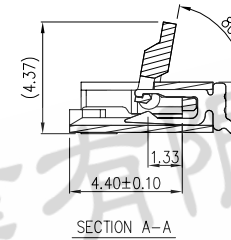
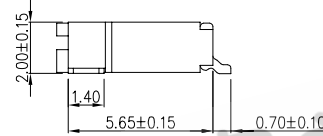
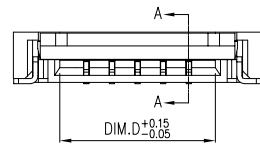
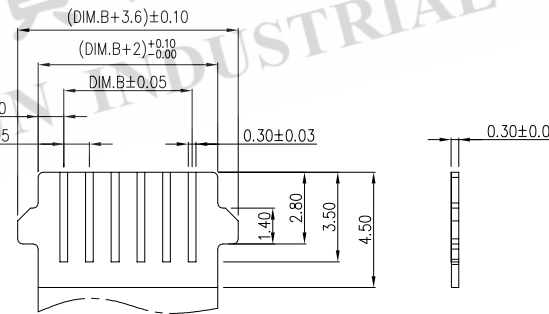


- SPEC :
- Housing: High-Temp Plastic, UL94-V
Color: Black
 - Locker: High-Temp Plastic, UL94-V
Color: Black
 - Contact: Phosphor Bronze
Initial: 30m Ohms Max.
Voltage Rating: 50V AC, DC
 - Solder Tab: BRASS
 - Temperature Rating: -25°C ~ +85°C
 - Dielectric Withstanding Voltage: 500V AC/Min



FPC/FFC Insert Direction
Recommended P.C.B Layout



Recommended FPC Dimension

● : 表示現有可提供PIN數

PIN	DIM.A	DIM.B	DIM.C	DIM.D
4	8.70	3.00	6.60	5.05
5	9.70	4.00	7.60	6.05
6	10.70	5.00	8.60	7.05
7	11.70	6.00	9.60	8.05
8	12.70	7.00	10.60	9.05
9	13.70	8.00	11.60	10.05
10	14.70	9.00	12.60	11.05
11	15.70	10.00	13.60	12.05
12	16.70	11.00	14.60	13.05
13	17.70	12.00	15.60	14.05
14	18.70	13.00	16.60	15.05
15	19.70	14.00	17.60	16.05
16	20.70	15.00	18.60	17.05
17	21.70	16.00	19.60	18.05
18	22.70	17.00	20.60	19.05
19	23.70	18.00	21.60	20.05
20	24.70	19.00	22.60	21.05
21	25.70	20.00	23.60	22.05
22	26.70	21.00	24.60	23.05
23	27.70	22.00	25.60	24.05
24	28.70	23.00	26.60	25.05
25	29.70	24.00	27.60	26.05
26	30.70	25.00	28.60	27.05
27	31.70	26.00	29.60	28.05
28	32.70	27.00	30.60	29.05
29	33.70	28.00	31.60	30.05
30	34.70	29.00	32.60	31.05
31	35.70	30.00	33.60	32.05
32	36.70	31.00	34.60	33.05

ORDERING INFORMATION:

FPCZ - 10200 PHCB - xx - x - x

- PLATING: T=TIN G=GOLD FLASH
- PACKING T=TUBE R=REEL
- NO. of contacts
- Series name
- PITCH=1.0mm
- FPC SERIES



鼎掄實業有限公司
DINGLUN INDUSTRIAL CO., LTD.

TITLE
FPC 1.0PH 2.0H 掀蓋臥貼前插蝴蝶扣

DRAWN: *michael lin*
2017/07/22

TOLERANCE
.X±0.30

SCALE
None

P/N NO.
FPCZ-10200PHCB-xx-x

CHECKED: *Eddie Liu*
2017/07/22

UNIT
.XX±0.20
.XXX±0.10

DWG. NO.

APPROVED: *Eddie Liu*
2017/07/23

PROJECTION
REV. A

CUSTOMER P/N NO.

REV.	REASONS	DATE	DRAWN
1			
2			
3			
4			
5			

1	2	3	4	5	6	7	8	9
---	---	---	---	---	---	---	---	---